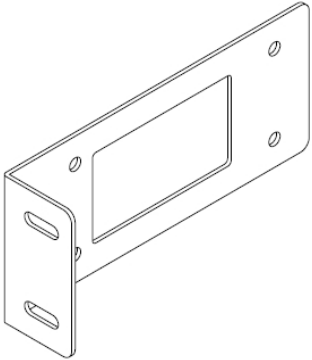
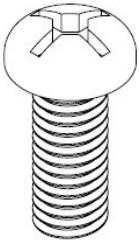
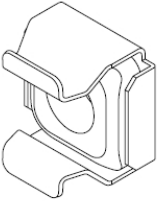



## **GX** Server Rack Mounting Kit

### Quick Installation Guide

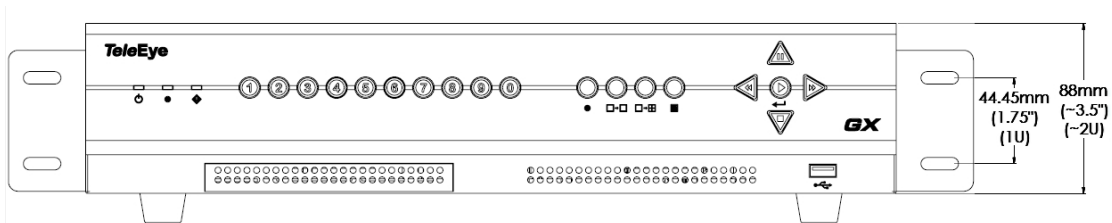
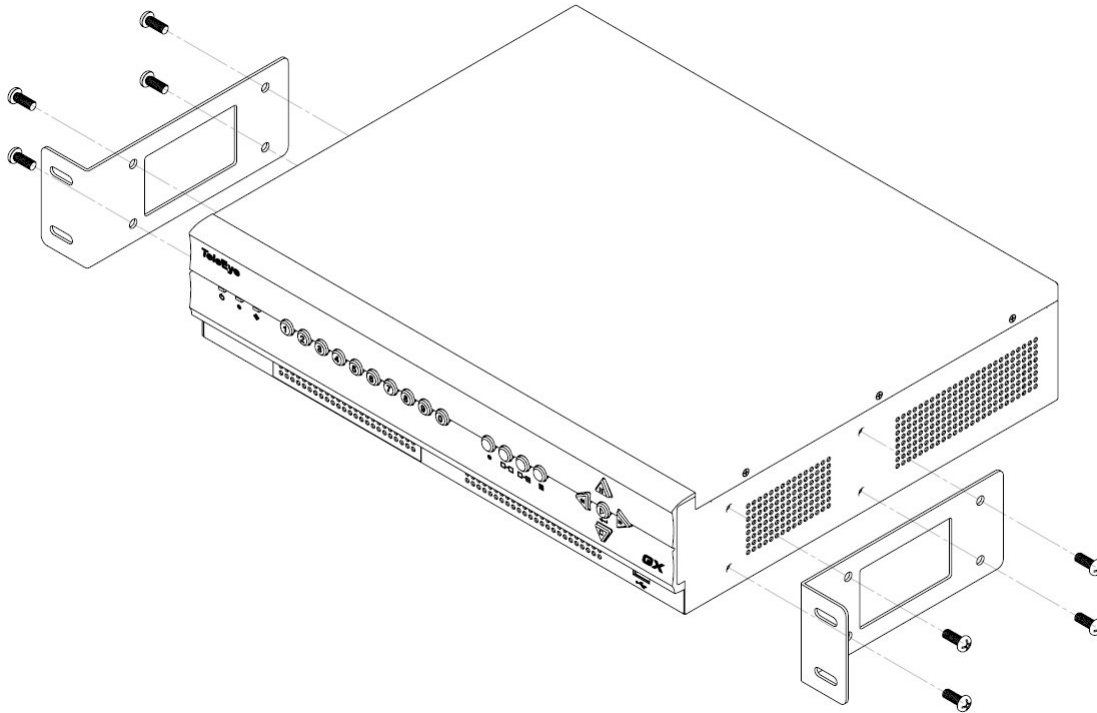
( 19" Server Rack Use Only)

#### Package Contents

	<p>Mounting Racks 2 pcs</p>
	<p>M6 Screws 12 pcs</p>
	<p>M6 Cage Nuts 4 pcs</p>
	<p>Quick Installation Guide 1 pcs</p>

## Step 1

Install mounting racks on each side of GX casing by tightening 4 pcs M6 screws. As shown:

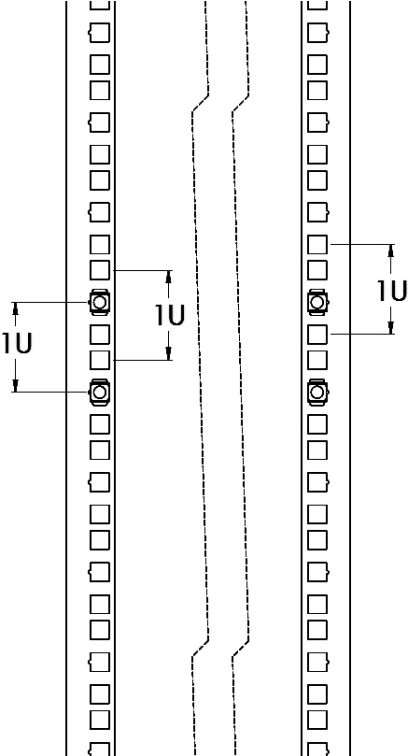
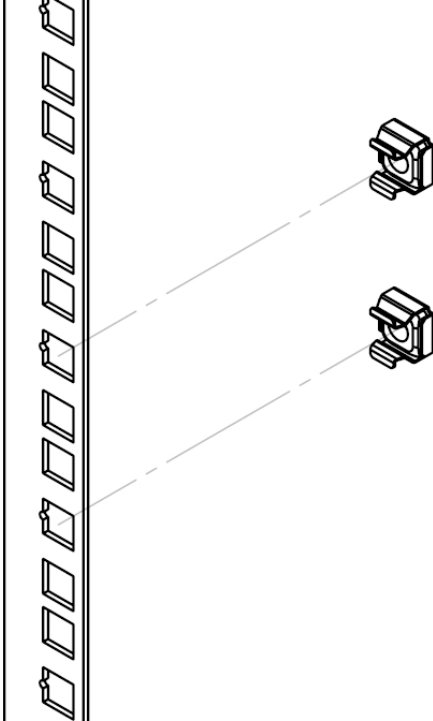


## Tips

The 4 standoffs at the bottom of GX casing can be removed by loosening screws in order to fit limited space 2U in 19" server rack.

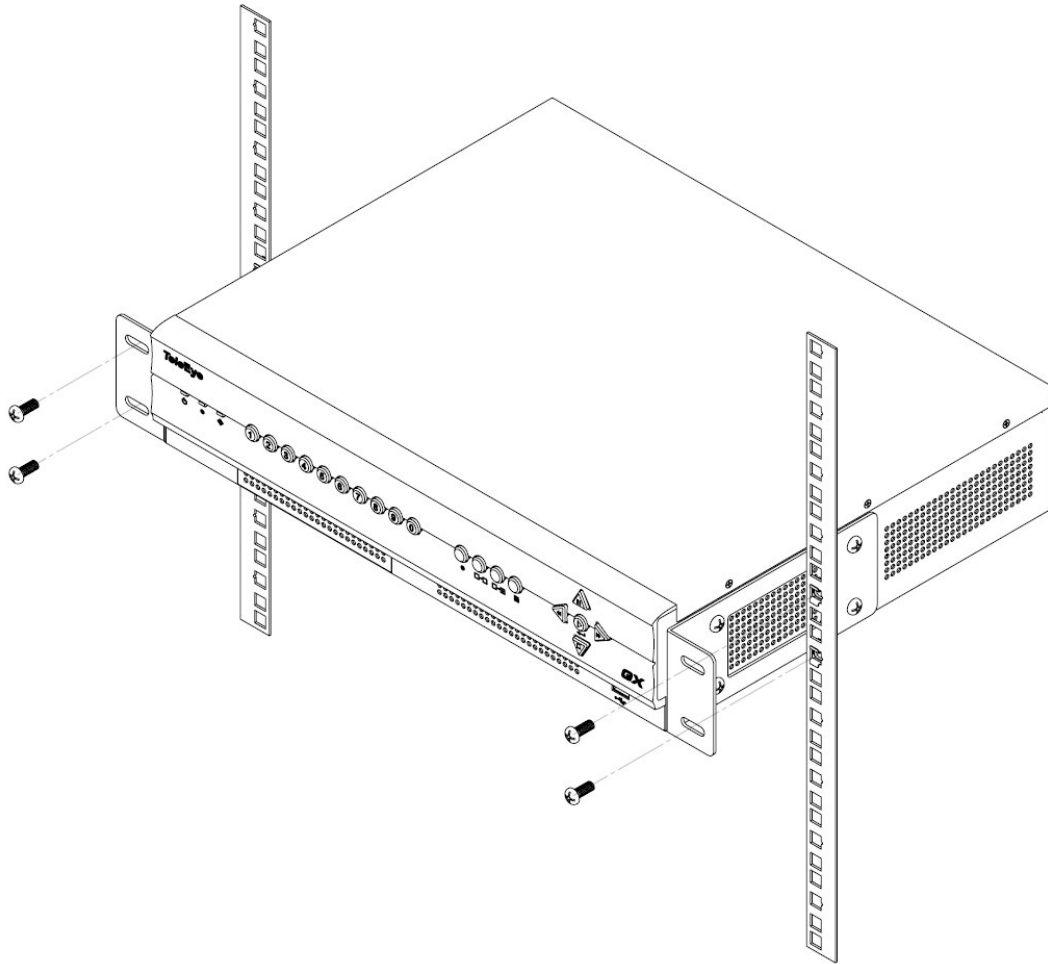
### Step 2

Install 2 pcs M6 cage nuts on each arm of 19" server rack with 1U spacing separation. (1U = 1.75" = 44.45mm). As shown:



**Step 3:**

Install the step 1 finished product to 19" server rack by tightening 4 pcs M6 screws to M6 cage nut each. As shown:



**Installation Complete**