

MS1300T

Visible Temperature Camera

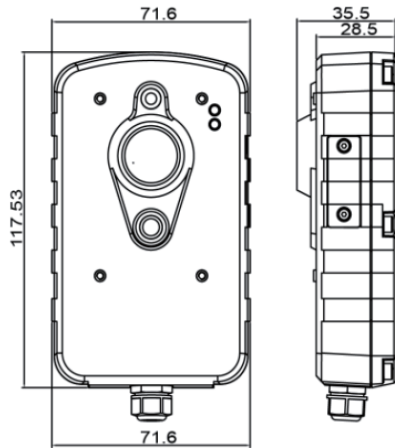
- Dual Sensors
With Visible and Thermal Sensor
- Max 1 Meter/Tol.±0.5°C
(Range 30°C - 45°C)
- With Temperature Indicator
- High Temperature Alarm I/O
- Temperature Risk Management
- White LEDs Support Manual or Alarm On / Off
- Support PoE
- IP66 Water Proof



MODEL

MS1300T

Unit: mm



TEMPERATURE VIDEO	IMAGE SENSOR	Uncooled VOx Microbolometer
	RESOLUTION	80×60, Progressive Scan; 17 μm
	SPECTRAL RANGE	Long wave infrared, 8 μm to 14 μm
	FRAME RATE	9fps
	ANGLE OF VIEW	H: 51°, V: 38°, D: 64°
	THERMAL DISPLAY	B&W / Color / Reverse
	TEMPERATURE ACCURACY	Center Temperature: Max 1 Meter / Tol. ±0.5°C (Range 30°C - 45°C)
VISIBLE VIDEO	TEMPERATURE ALARM	Adjustable
	IMAGE SENSOR	1/2.8" Sony 2MP CMOS
	RESOLUTION	1920 x1080p
	FRAME RATE	9fps
	MINIMUM ILLUMINATION	Color: 0.1Lux@F1.2, B/W 0.01Lux@F1.2, Sense-up: 0.001Lux@F1.2,
	LENS	F=6.0mm
	LED WORKING DISTANCE	White LEDs ; 5 Meter, Support Manual or Alarm (On/ Off)
CONNECTIVITY	VIDEO SETTING	Brightness, Contrast, Saturation, Sharpness, Noise Reduction, Grayscale
	NETWORK INTERFACE	RJ-45
	NETWORK PROTOCOL	TCP IP, UDP, HTTP, SMTP, FTP, DNS, DHCP, PPPoE, ARP, UPnP, RTSP, RTP, SNMP, TRAP
	WEB SERVER	Built-in
COMPRESSION	ONVIF	Profile S
	VIDEO COMPRESSION	H.264, MPEG4, M-JPEG
EVENT HANDLING	MOTION DETECTION	Yes
	ALARM IN / OUT	DI / DO
POWER	VOLTAGE	12VDC
	MAX. RATING	4W
	POE	YES
OPERATING ENVIRONMENT	AMBIENT TEMPERATURE	-10°C ~ 50°C
	RELATIVE HUMIDITY	Max. RH80%
MECHANICAL DESIGN	DIMENSION	72mm × 118mm x 36mm
	WEIGHT	450g

Terms & Conditions 使用細則
Design and specifications are subject to change without prior notice. Copyright © 2020 Signal Communications Limited.
TeleEye is a trademark of Signal Communications Limited and is registered in China, European Community, Hong Kong, U.S. and other countries. All other trademarks are the property of their respective owners.

Contact Us 聯絡我們
Tel: (+852) 2995 5992 URL: www.TeleEye.com